



Engineering Virtual Learning

# HS Machine Drafting Design Lesson #14

April 23, 2020



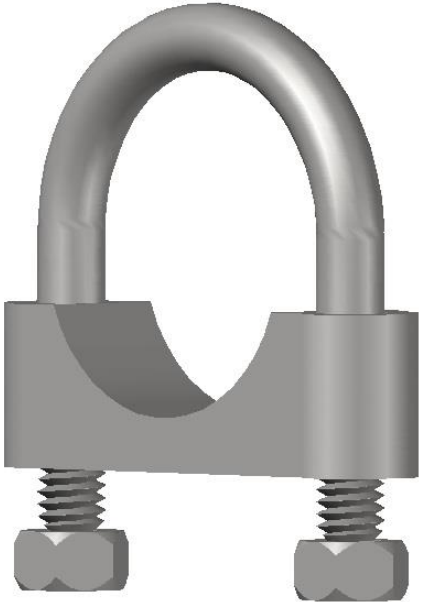
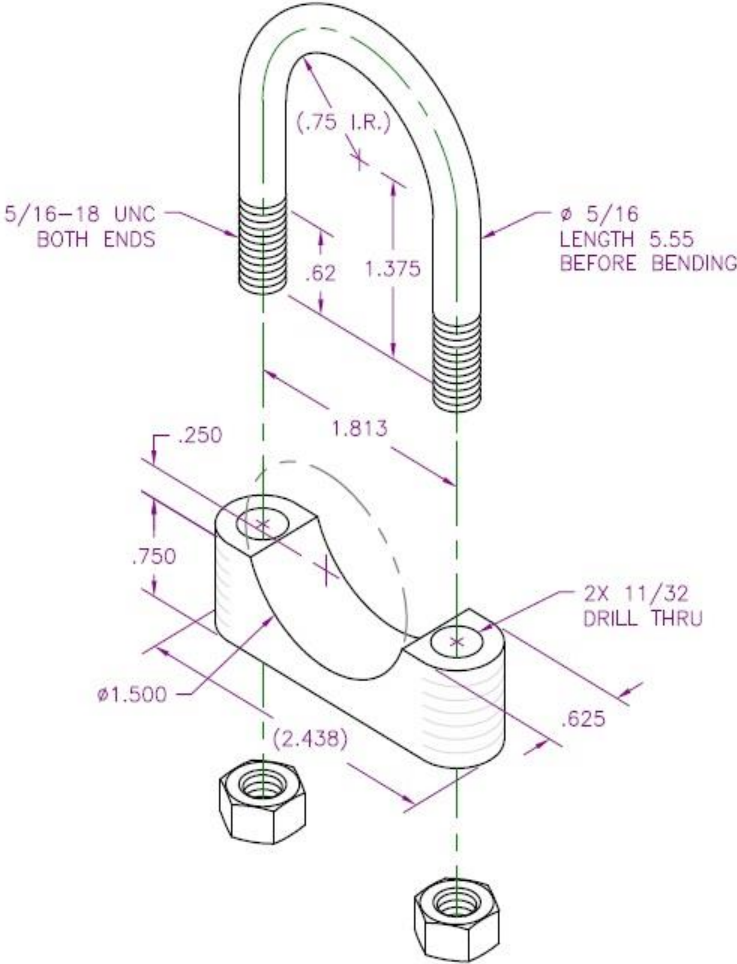
**Objective/Learning Target:**  
Students will continue to sketch  
complex Isometric drawings.

## Let's Get Started:

Often times there are more than one part that need to be drawn in an assembly. It is important to provide a drawing that will let someone know how to put something together. After all a picture is worth a thousand words. Get your pencil, paper and a big eraser back out and try your hand at sketching of an Isometric view assembly on the next page. Use a ruler to help you get as close to the correct size as possible.

You may print and use the Isometric paper on page 6. For a challenge use the graph paper on page 7 or even plain white paper like in the videos.

# U-Bolt Clamp



# Learning Resource Links:

## Hand Sketching:

<https://www.youtube.com/watch?v=Lg06QqoFKxY>

<https://www.youtube.com/watch?v=p98An-oYdSc>

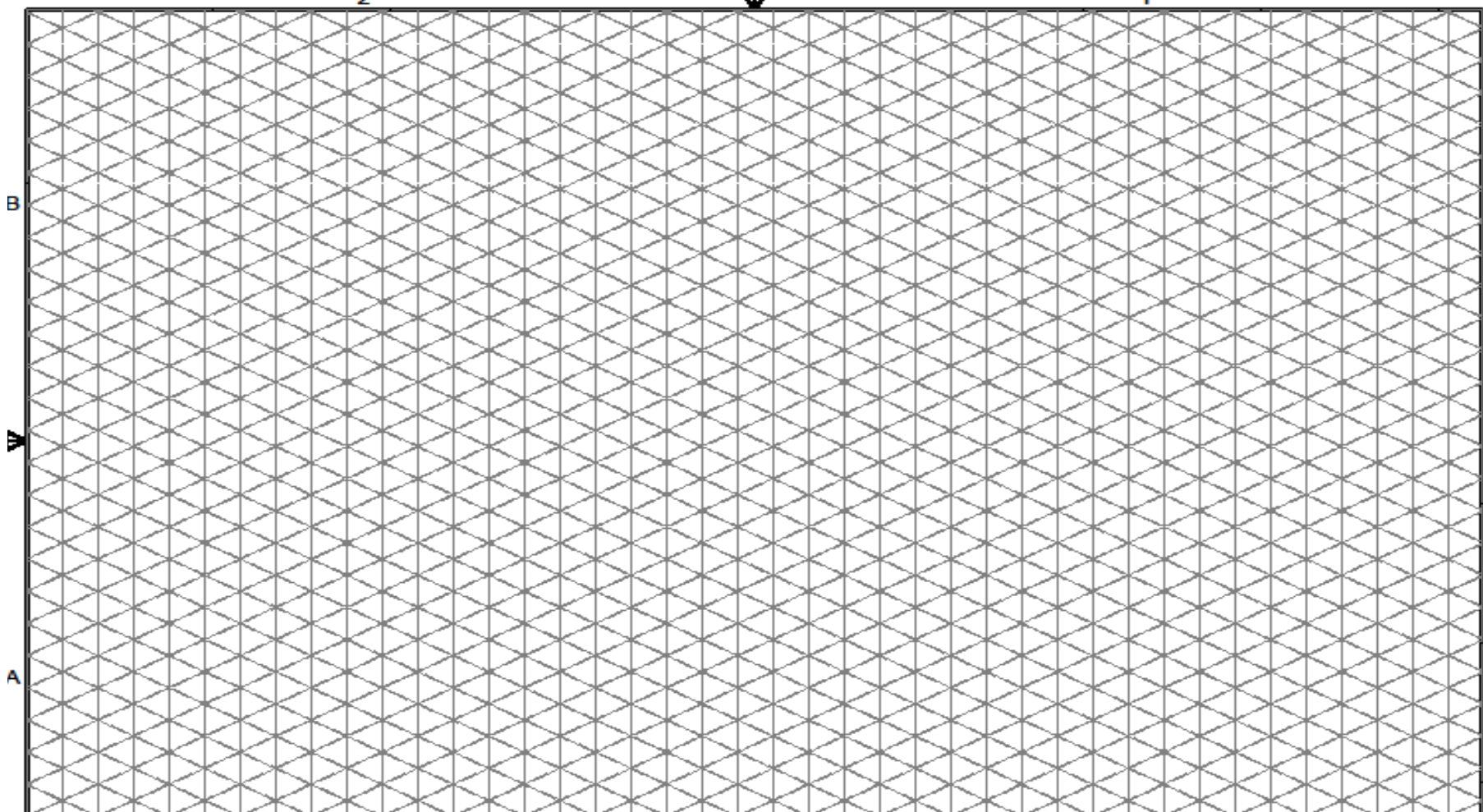
## Faces and edges:

<https://www.khanacademy.org/math/basic-geo/basic-geometry-shapes/basic-geo-geometric-solids/v/counting-faces-and-edges-of-3d-shapes>

<https://www.khanacademy.org/math/basic-geo/basic-geometry-shapes/basic-geo-geometric-solids/e/identify-parts-of-3d-shapes>

## Grid and Isometric Graph paper:

[https://www.printablepaper.net/category/isometric\\_graph](https://www.printablepaper.net/category/isometric_graph)

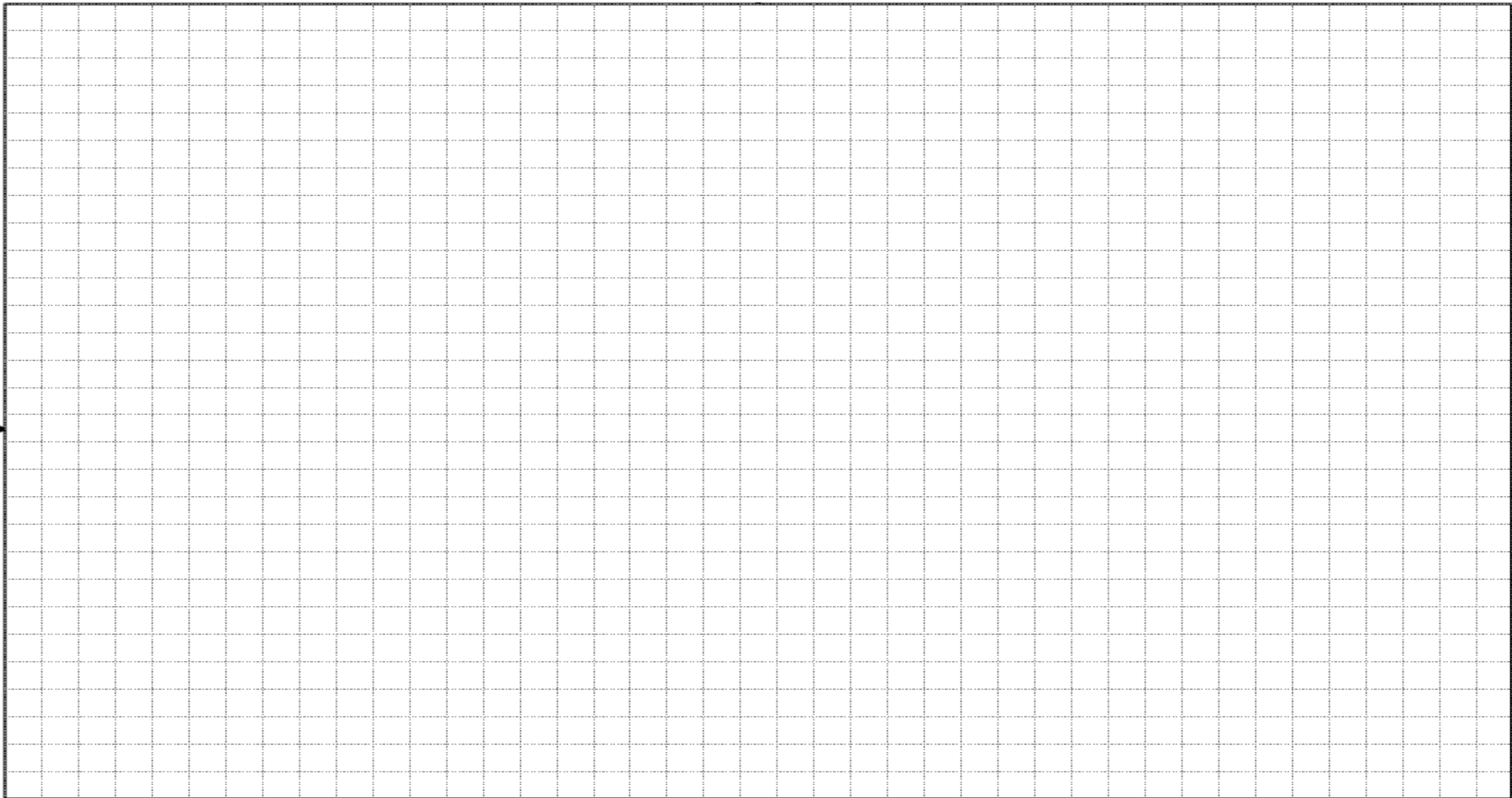


B

W

A

NAME	TITLE	DATE	PERIOD



**NAME**

**TITLE**

**DATE**

**PERIOD**